

TAPER SPARS TO 1/32" SQ. AT TIPS

1/32" SQ. RIBS ARE SLICED FROM QUARTER-SAWED SHEET.

SPARS ARE STRIPPED FROM THE 3/64 SHEET TAPER ENDS WITH SANDPAPER

1/16 X 3/64

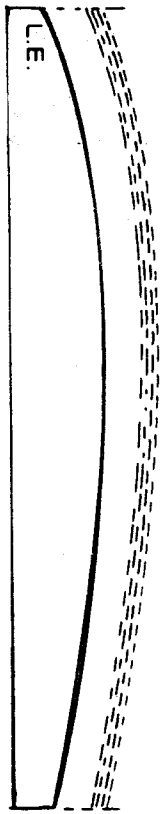
LEADING EDGE

WING PLAN

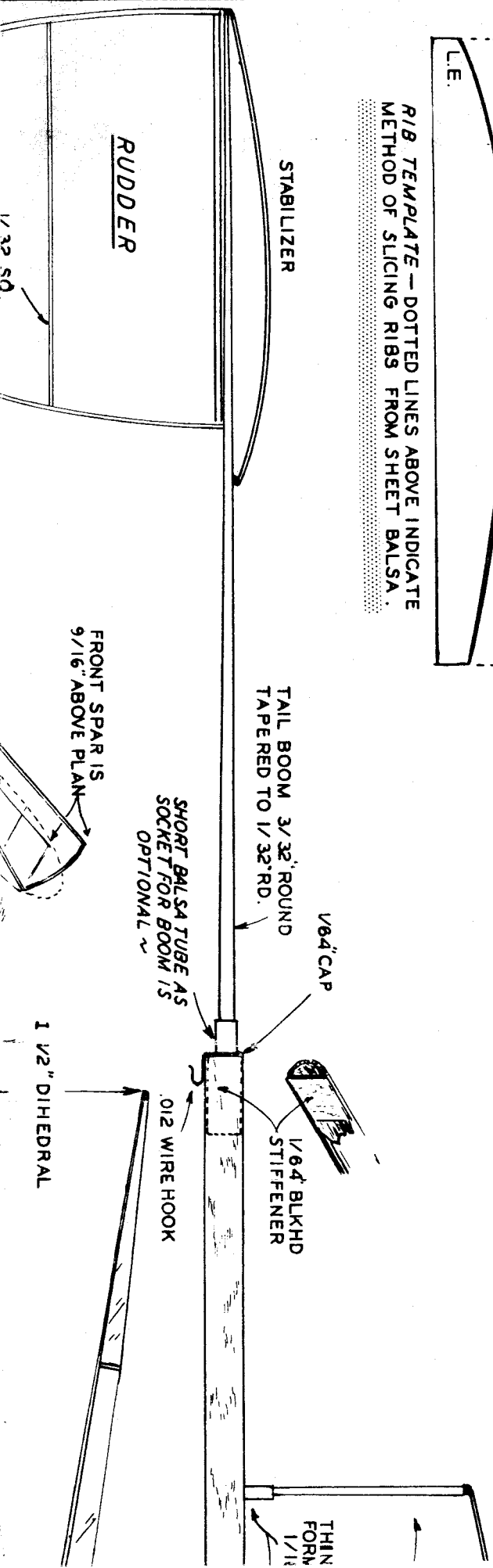
BUILD WING FLAT A COVER IN ONE PIECE BEFORE SETTING THE DIHEDRAL ANGLE.

TAKE UP SLACK IN FILM BY HOLDING OVER LOW HEAT - NOT AN OPEN FLAME

SOME BUILDERS PREPARE TO CREASE SLACK BY DRAWING WET FINGER OVER CENTER RIB.



RIB TEMPLATE - DOTTED LINES ABOVE INDICATE METHOD OF SLICING RIBS FROM SHEET Balsa.



STABILIZER

RUDDER

1/32 SQ

FRONT SPAR IS 9/16" ABOVE PLAN

TAIL BOOM 3/32" ROUND TAPERED TO 1/32" RD.

SHORT Balsa TUBE AS SOCKET FOR BOOM IS OPTIONAL

1/64" CAP

1/64" BLK HD STIFFENER

012 WIRE HOOK

1 1/2" DIHEDRAL

THIN FORN 1/16"