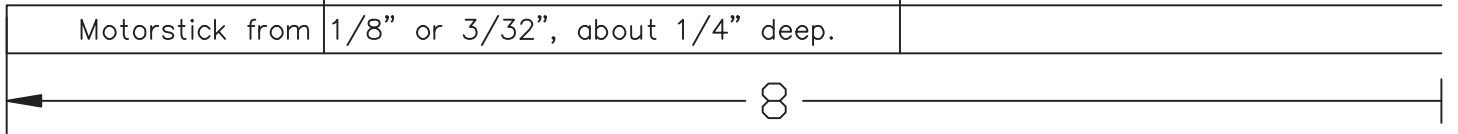
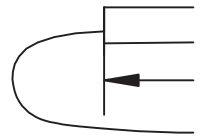
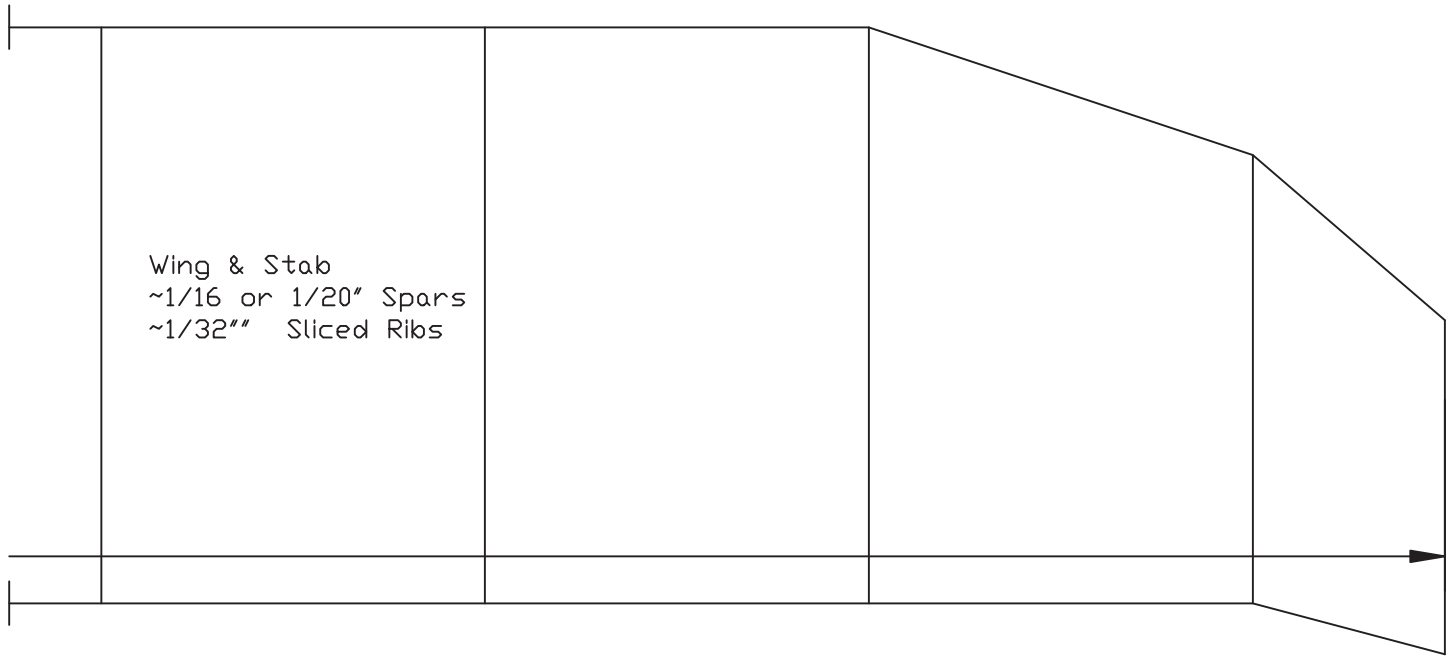


~Airfoil Wing & Stab=6% arc
 ~Wing Location As needed to Suit CG,
 ~Tissue tubes for wing mounting suggested
 ~Prop Hanger and hooks are builders choice
 Whatever it Takes say Rob...

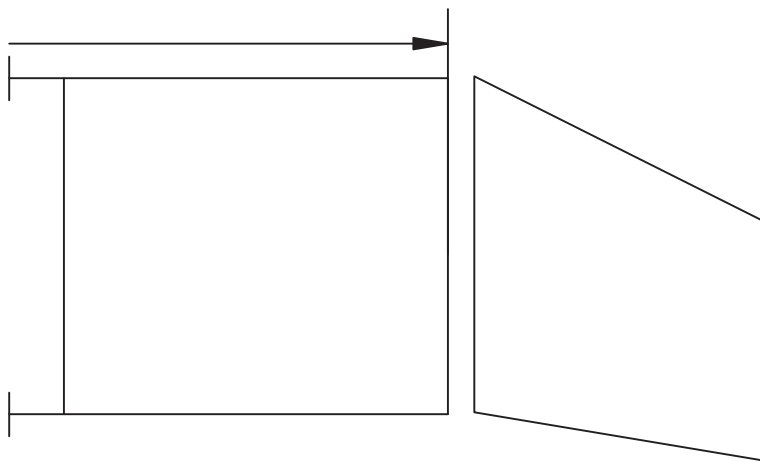




Wing & Stab
 ~1/16 or 1/20" Spars
 ~1/32" Sliced Ribs

Prop: Any Construction, 6" Max Diameter.
 Covering: Any
 Minimum Weight: 2 grams
 Dihedral: Single Poly or Double Poly as Shown.
 Wood Sizes are suggestions.

1 1/4



Twin Fins on Stab
 To be installed vertical
 1/20" or 1/32"

Boom From 1/16"

8

MASH-UP

2016 EAA FAMILY FLIGHT FEST ONE DESIGN by
 Rob Romash

